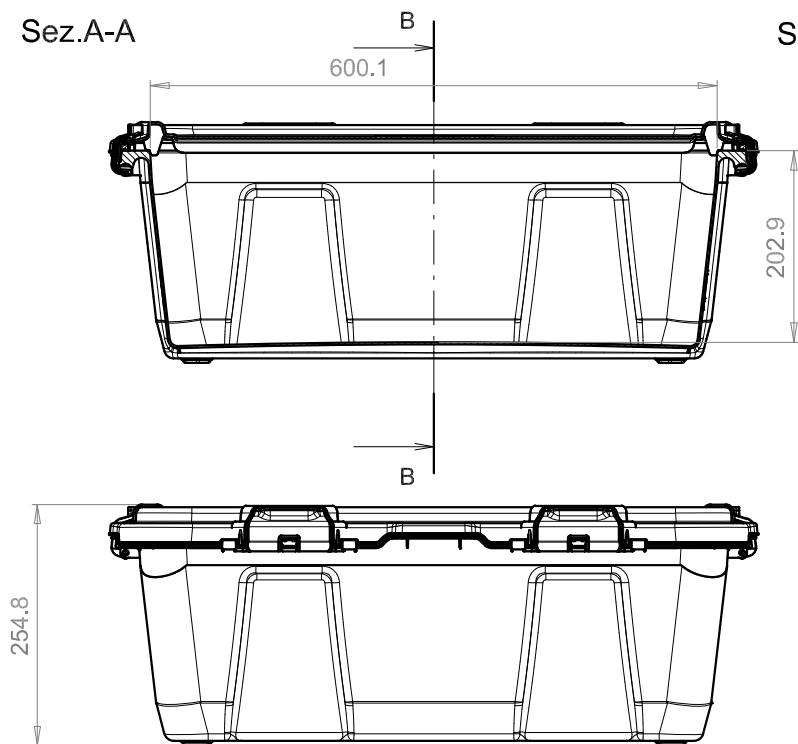
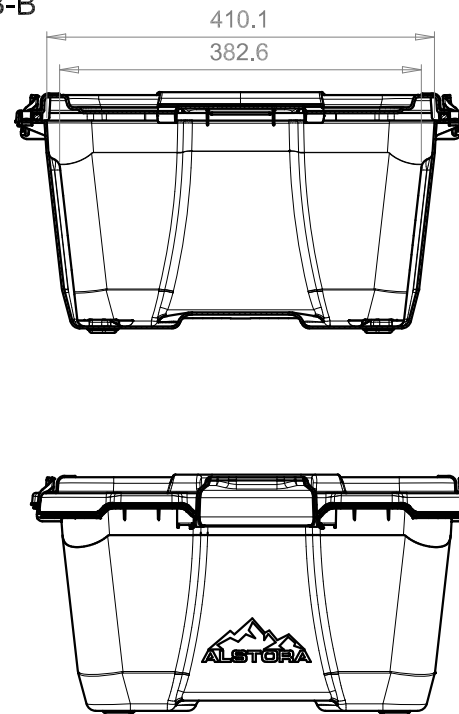


Sez.A-A



Sez.B-B



Model No.:	ALST#46LT000GRG
Case Weight (lbs. Empty)	3.1 Kg (6.82 lbs)
Interior Length	600.1 mm (23.62 in)
Interior Width	382.6 mm (15.06 in)
Interior Height	202.9 mm (7.99 in)
Exterior Length (L)	687.3 mm (27.06 in)
Exterior Width (W)	477.3 mm (18.79 in)
Exterior Height (H)	254.8 mm (10.0 in)
Capacity	46 Lt (12 Gal)



Plaber S.r.l. reserves the right to modify its products at any time and without notice, in order to better their quality and functionality. Therefore, all the information given in this datasheet is to be considered indicative and subject to possible modifications.

Rev.03

**PROTECTIVE
STORAGE BOXES**



Plaber S.r.l.
Via Div. Tridentina,10
I-36061 Bassano del Grappa
Vicenza-Italy
Tel +39 0424 809150
Fax +39 0424 808548
info@alstora.com
www.alstora.com
VAT: IT03312270246

Scala :
1:8

Data:
11/10/2022

Model No: **ALST#46LT000GRG**